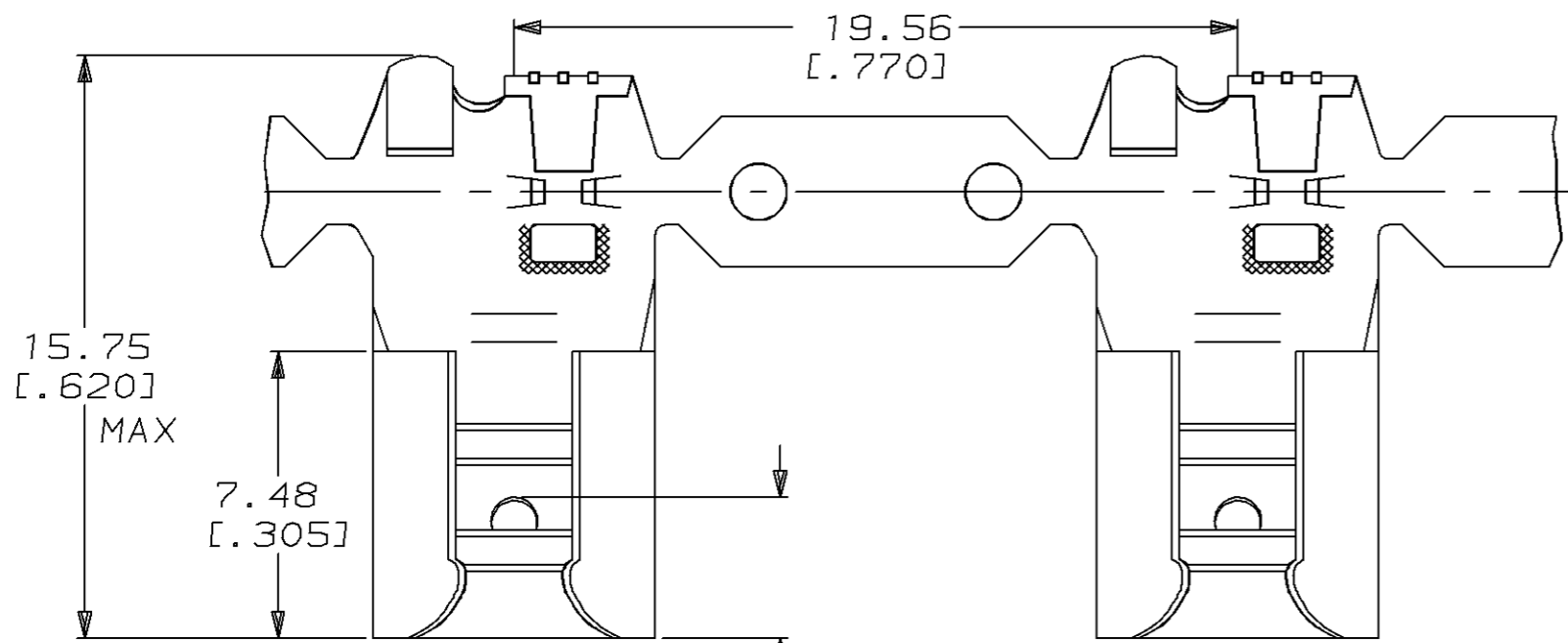
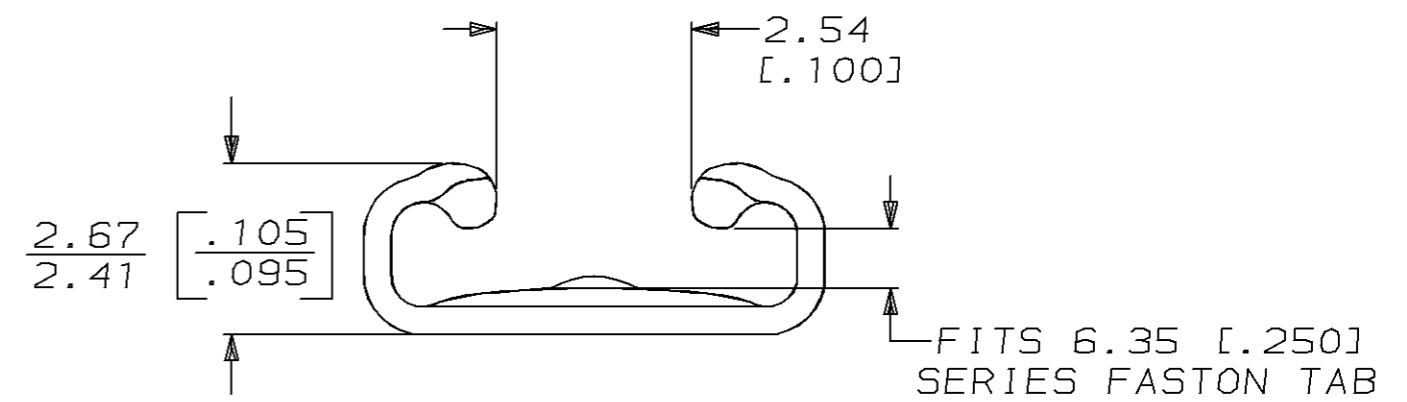


THIS DRAWING IS UNPUBLISHED. RELEASED FOR PUBLICATION, 19
 © COPYRIGHT 19 BY AMP INCORPORATED. ALL INTERNATIONAL RIGHTS RESERVED.

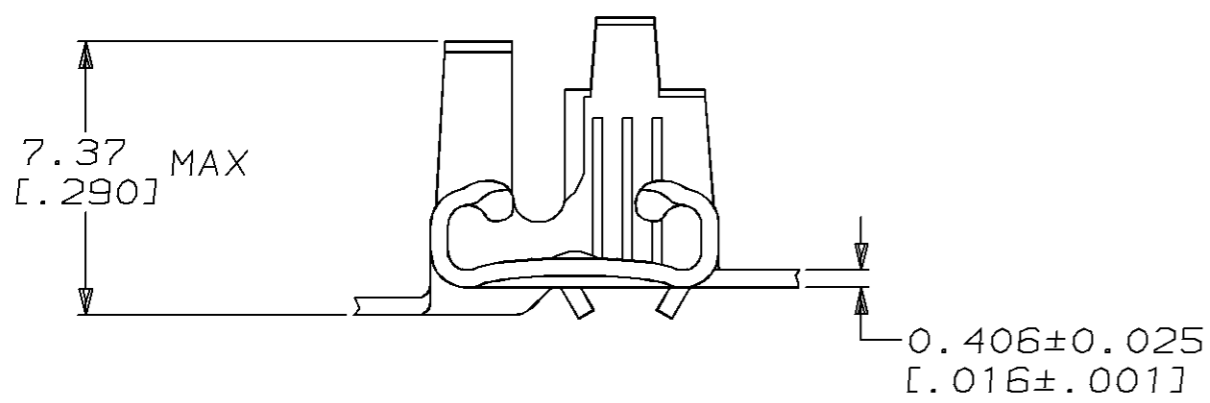
LOC	DIST	P	F	REVISIONS				
AF	50			ZONE	LTR	DESCRIPTION	DATE	APPD
					F	REV PER 0710-0020-95	2/22/95	JR/PD



1 CONTINUOUS STRIP ON REELS



VIEW A-A
SCALE 8:1



1.78-3.30 [.070-.130]	0.3mm ² -1.3mm ² [22-16] AWG	0.0813±0.025 [.032±.001]	63577-1
INSULATION RANGE	WIRE RANGE	TAB THK	PART NO
DO NOT SCALE PRINT. UNLESS SPECIFIED DIMENSIONS IN mm [INCHES] TOLERANCES ON: 2 PLC DEC ± 0.25 [.010] 3 PLC DEC ± 0.25 [.010] ANGLES ± -	DR 5/25/90 P FORTNEY	AMP AMP INCORPORATED Harrisburg, Pa. 17105 NAME RECEPTACLE, FASTON, 6.35 [.250] SERIES FLAG	
	CHK 5/25/90 JR RUTH		
MATERIAL 4M BRASS	APPD 5/25/90 C MEYERS	SIZE	CAGE CODE
	APPD 5/25/90 R KUZO	B	00779
FINISH	PRODUCT SPEC	DRAWING NO	63577
	APPLICATION SPEC	SCALE	SHEET
	WEIGHT -	5:1	1 OF 1